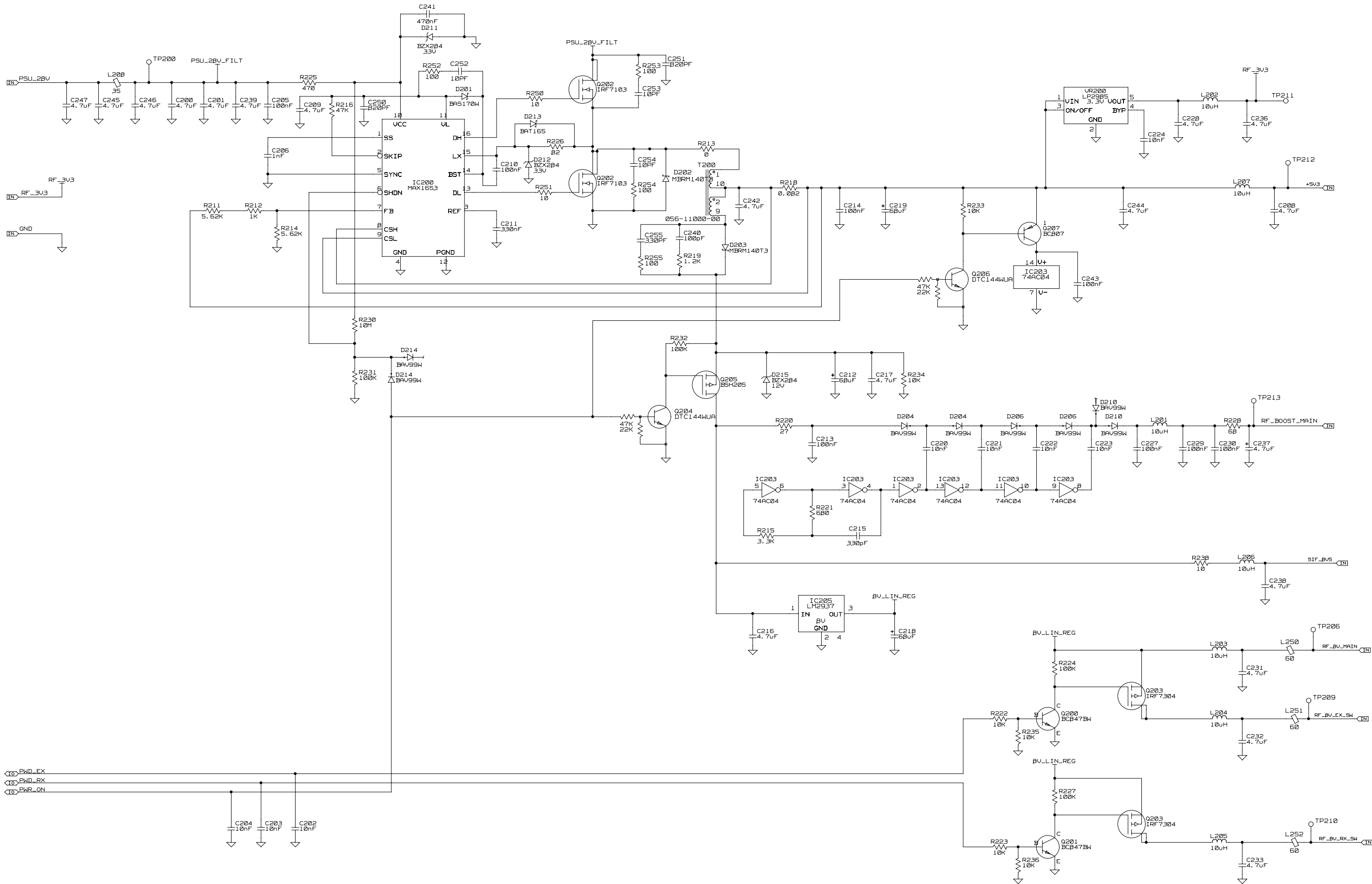


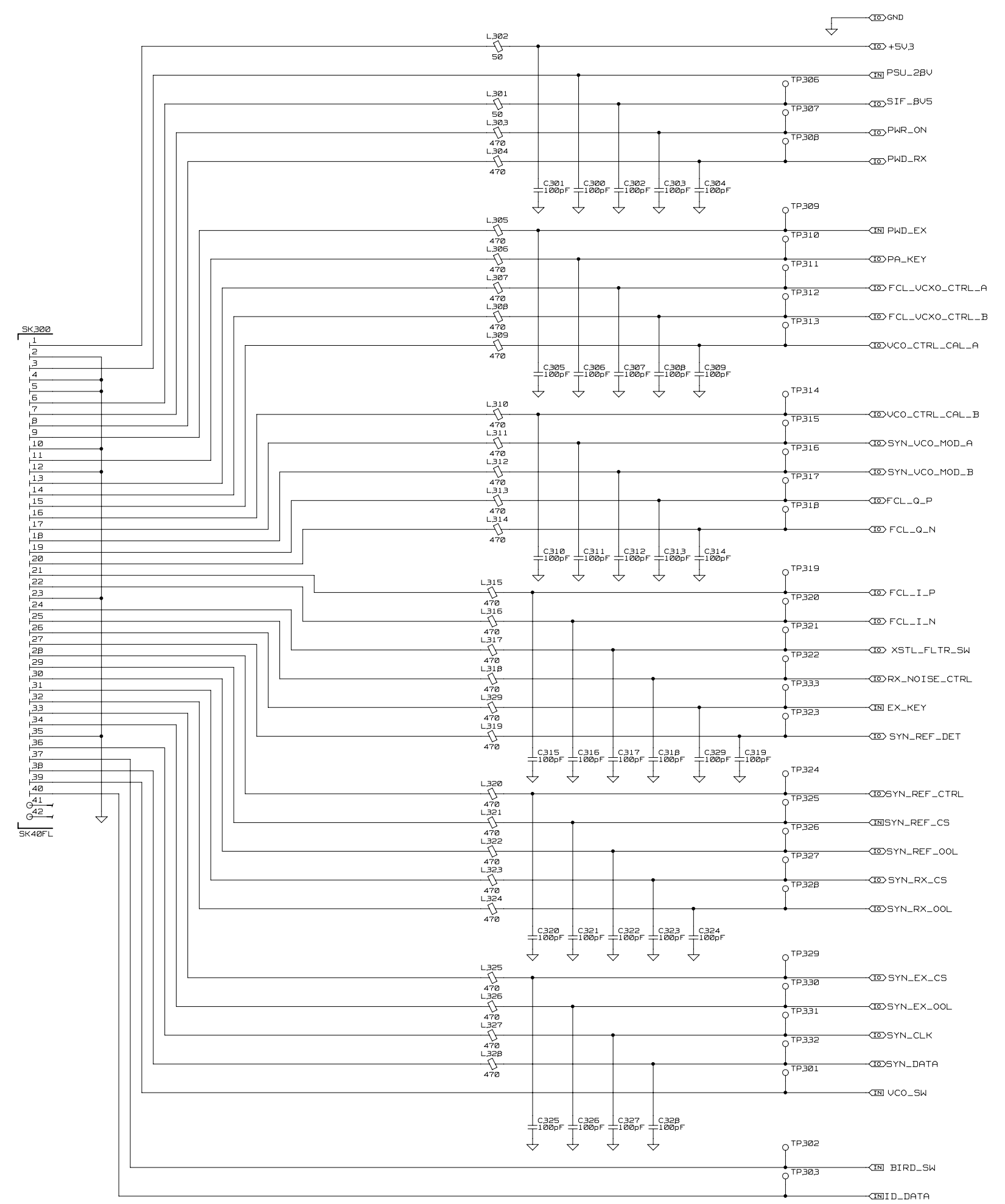
© TAIT ELECTRONICS		A1
T88100		
VHF RECITER RF TOP LEVEL		
IPN: 220-02049-01	ISSUE: A	VARIANT NUMBER: ?
FILE DATE: Tue Jun 15 18:47:50 2004		
ENGINEER: S Heald	FILE NAME: 220_02049	SHEET NUMBER: 1 OF 14

01A	INITIAL DESIGN MODIFIED FORM 226-00297-02	CJK	SH	CJK	SH	16/06/04
REV/ISS	AMENDMENTS	DRAWN	CHKD	D. O.	APVD	DATE
1						
2						
3						
4						
5						
6						
7						
8						
9						
10						
11						
12						
13						
14						



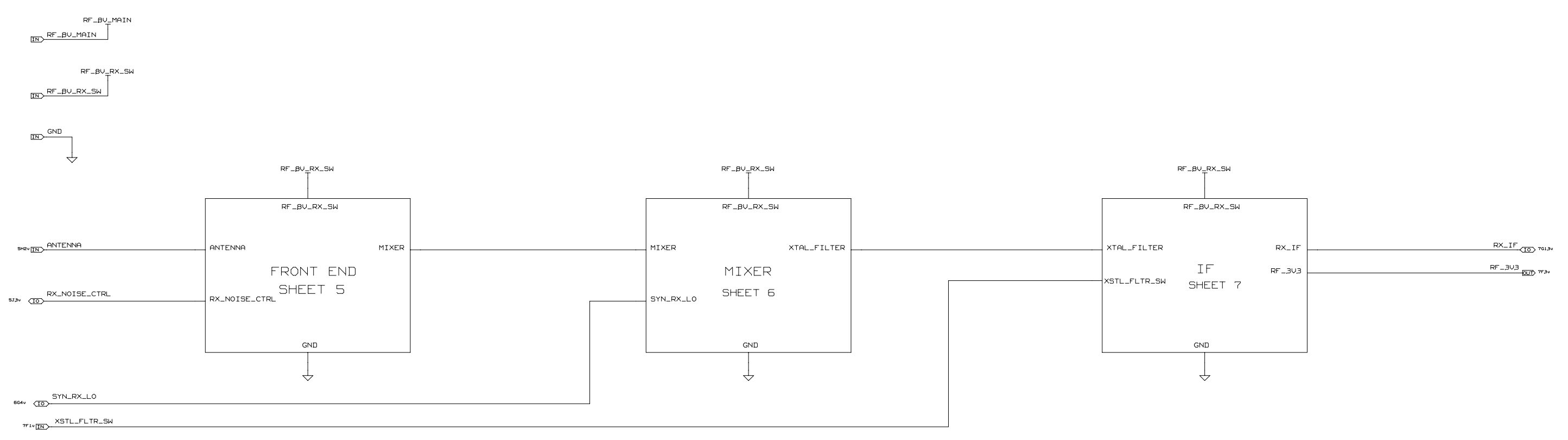
© TAIT ELECTRONICS		A1
TB8100 POWER SUPPLY		
IPN: 220-02049-01	ISSUE: A	VARIANT NUMBER: ?
FILE DATE: Tue Jun 15 13:22:40 2004		
ENGINEER: S Heald	FILE NAME: 220_02049	SHEET NUMBER: 2 OF 14

REV/ISS	AMENDMENTS	DRAWN	CHKD	D. O.	APVD	DATE
1						
2						
3						
4						



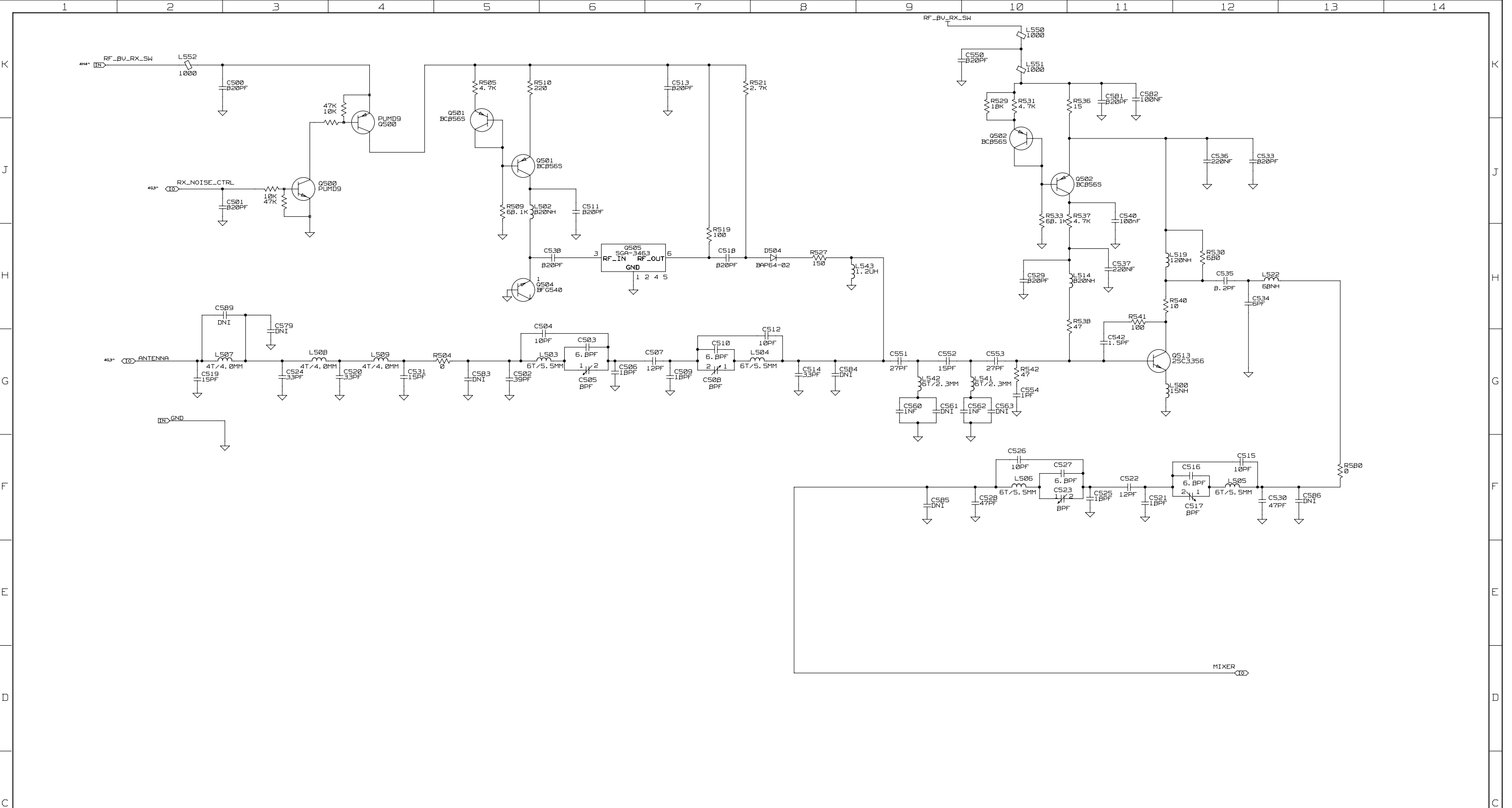
© TAIT ELECTRONICS		A1
TB8100 RF_CONN		
IPN: 220-02049-01	ISSUE: A	VARIANT NUMBER: ?
FILE DATE: Tue Jun 15 13:22:43 2004		
ENGINEER: S Heald	FILE NAME: 220_02049	SHEET NUMBER: 3 OF 14

REV/ISS	AMENDMENTS	DRAWN	CHKD	D. O.	APVD	DATE
1						



© TAIT ELECTRONICS		A1
TBS100 RECEIVER		
IPN: 220-02049-01	ISSUE: A	VARIANT NUMBER: ?
FILE DATE: Tue Jun 15 13:20:25 2004		
ENGINEER: S Heald	FILE NAME: 220_02049	SHEET NUMBER: 4 OF 14

REV/ISS	AMENDMENTS	DRAWN	CHKD	D. O.	APVD	DATE
1	2	3	4	5	6	7



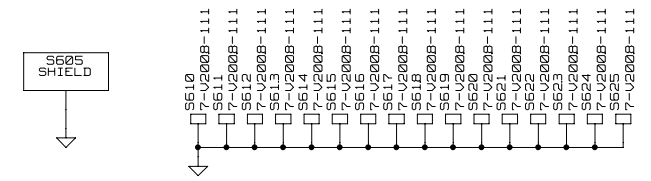
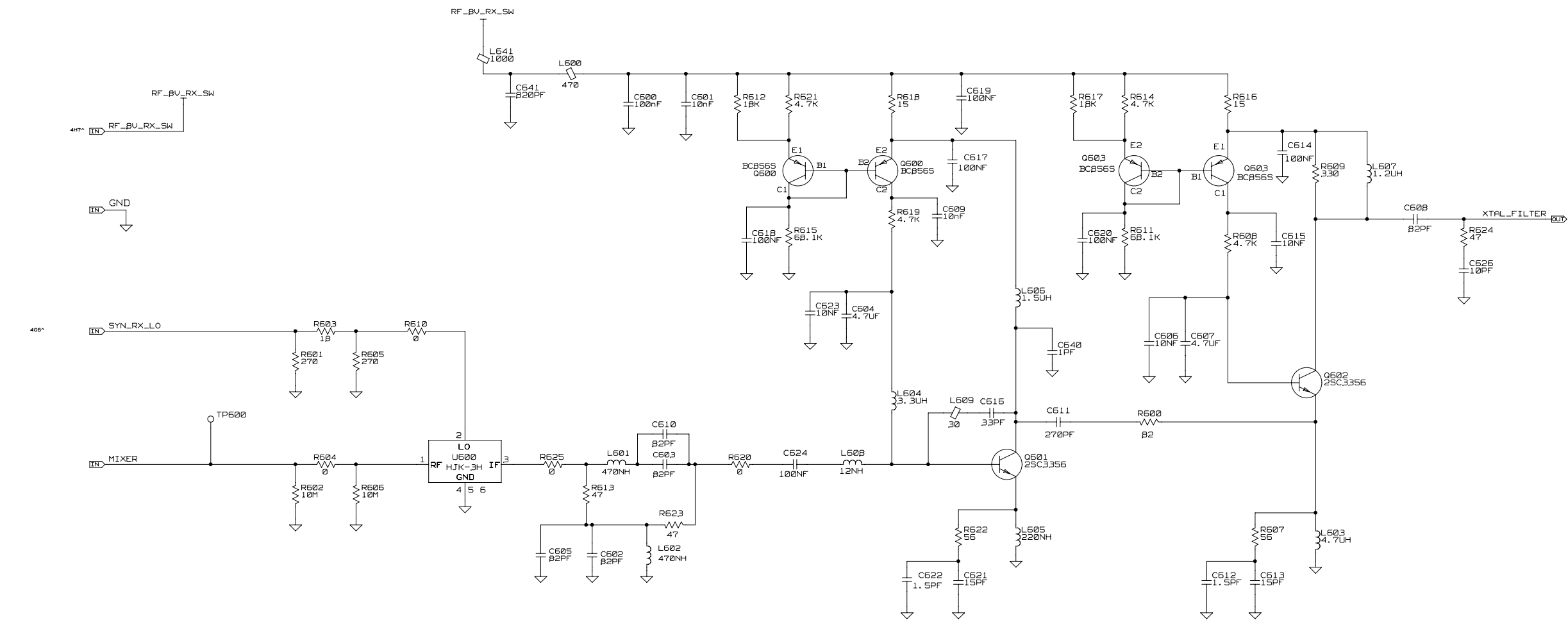
S508 SHIELD  
 S505 SHIELD  
 S506 SHIELD  
 S507 SHIELD

S510  
 S511  
 S512  
 S513  
 S514  
 S515  
 S516  
 S517  
 S518  
 S519  
 S520  
 S521  
 S522  
 S523  
 S524  
 S525  
 S526  
 S527  
 S528  
 S529  
 S530  
 S531  
 S532  
 S533  
 S534  
 S535  
 S536  
 S537  
 S538  
 S539  
 S540  
 S541  
 S542  
 S543  
 S544  
 S545  
 S546  
 S547  
 S548  
 S549  
 S550  
 S551  
 S552  
 S553  
 S554  
 S555  
 S556  
 S557  
 S558  
 S559  
 S560  
 S561  
 S562  
 S563  
 S564  
 S565  
 S566  
 S567  
 S568  
 S569  
 S570  
 S571  
 S572  
 S573  
 S574  
 S575  
 S576  
 S577  
 S578  
 S579  
 S580  
 S581  
 S582  
 S583  
 S584  
 S585  
 S586  
 S587  
 S588  
 S589  
 S590  
 S591  
 S592  
 S593  
 S594  
 S595  
 S596  
 S597  
 S598  
 S599  
 S600

S526  
 S527  
 S528  
 S529  
 S530  
 S531  
 S532  
 S533  
 S534  
 S535  
 S536  
 S537  
 S538  
 S539  
 S540  
 S541  
 S542  
 S543  
 S544  
 S545  
 S546  
 S547  
 S548  
 S549  
 S550  
 S551  
 S552  
 S553  
 S554  
 S555  
 S556  
 S557  
 S558  
 S559  
 S560  
 S561  
 S562  
 S563  
 S564  
 S565  
 S566  
 S567  
 S568  
 S569  
 S570  
 S571  
 S572  
 S573  
 S574  
 S575  
 S576  
 S577  
 S578  
 S579  
 S580  
 S581  
 S582  
 S583  
 S584  
 S585  
 S586  
 S587  
 S588  
 S589  
 S590  
 S591  
 S592  
 S593  
 S594  
 S595  
 S596  
 S597  
 S598  
 S599  
 S600

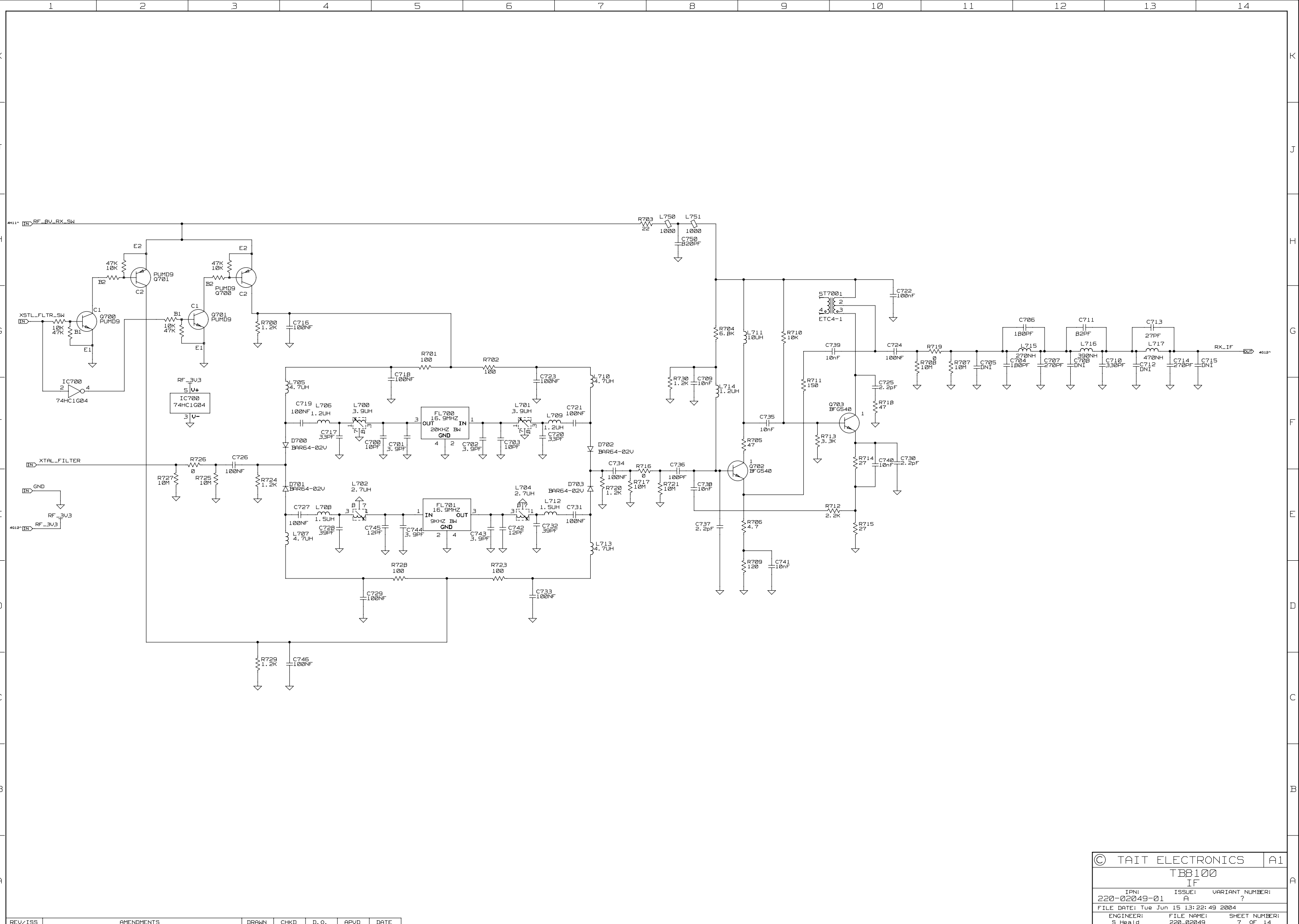
© TAIT ELECTRONICS		A1
T88100 FRONT END		
IPN: 220-02049-01	ISSUE: A	VARIANT NUMBER: ?
FILE DATE: Tue Jun 15 13:22:45 2004		
ENGINEER: S Heald	FILE NAME: 220_02049	SHEET NUMBER: 5 OF 14

REV/ISS	AMENDMENTS	DRAWN	CHKD	D. O.	APVD	DATE
1						



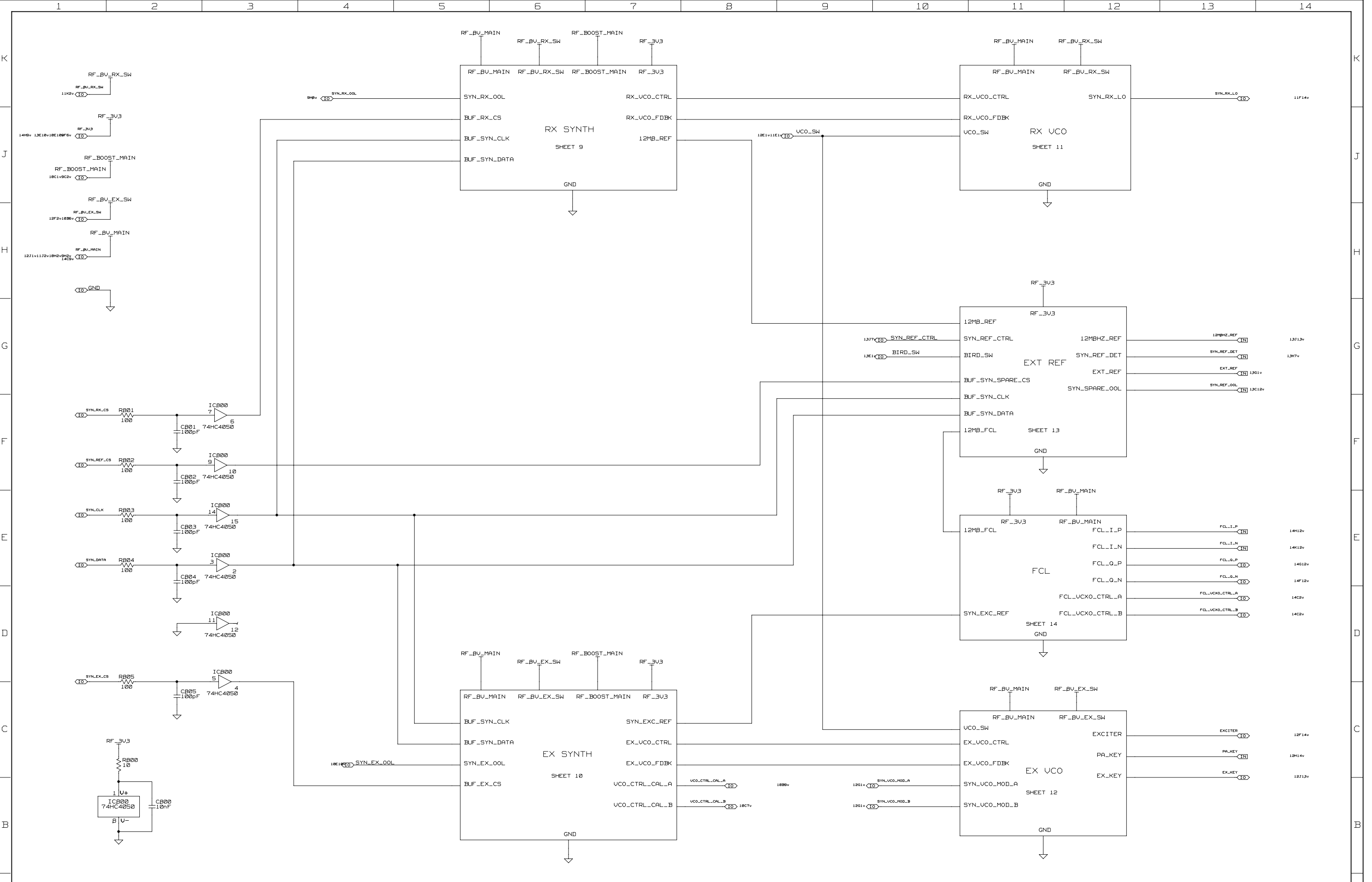
© TAIT ELECTRONICS		A1
TB8100 MIXER		
IPN: 220-02049-01	ISSUE: A	VARIANT NUMBER: ?
FILE DATE: Tue Jun 15 13:22:47 2004		
ENGINEER: S Heald	FILE NAME: 220_02049	SHEET NUMBER: 6 OF 14

REV/ISS	AMENDMENTS	DRAWN	CHKD	D. O.	APVD	DATE
1						
2						
3						
4						
5						
6						
7						
8						
9						
10						
11						
12						
13						
14						



© TAIT ELECTRONICS		A1
TB8100 IF		
IPN: 220-02049-01	ISSUE: A	VARIANT NUMBER: ?
FILE DATE: Tue Jun 15 13:22:49 2004		
ENGINEER: S Heald	FILE NAME: 220_02049	SHEET NUMBER: 7 OF 14

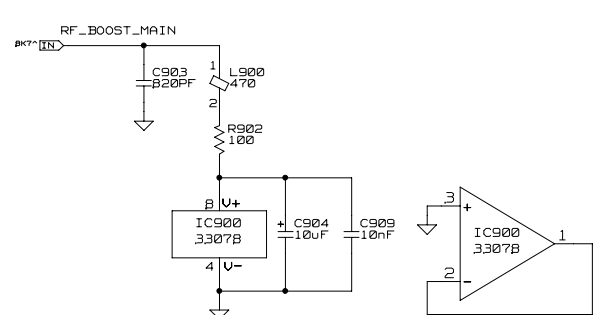
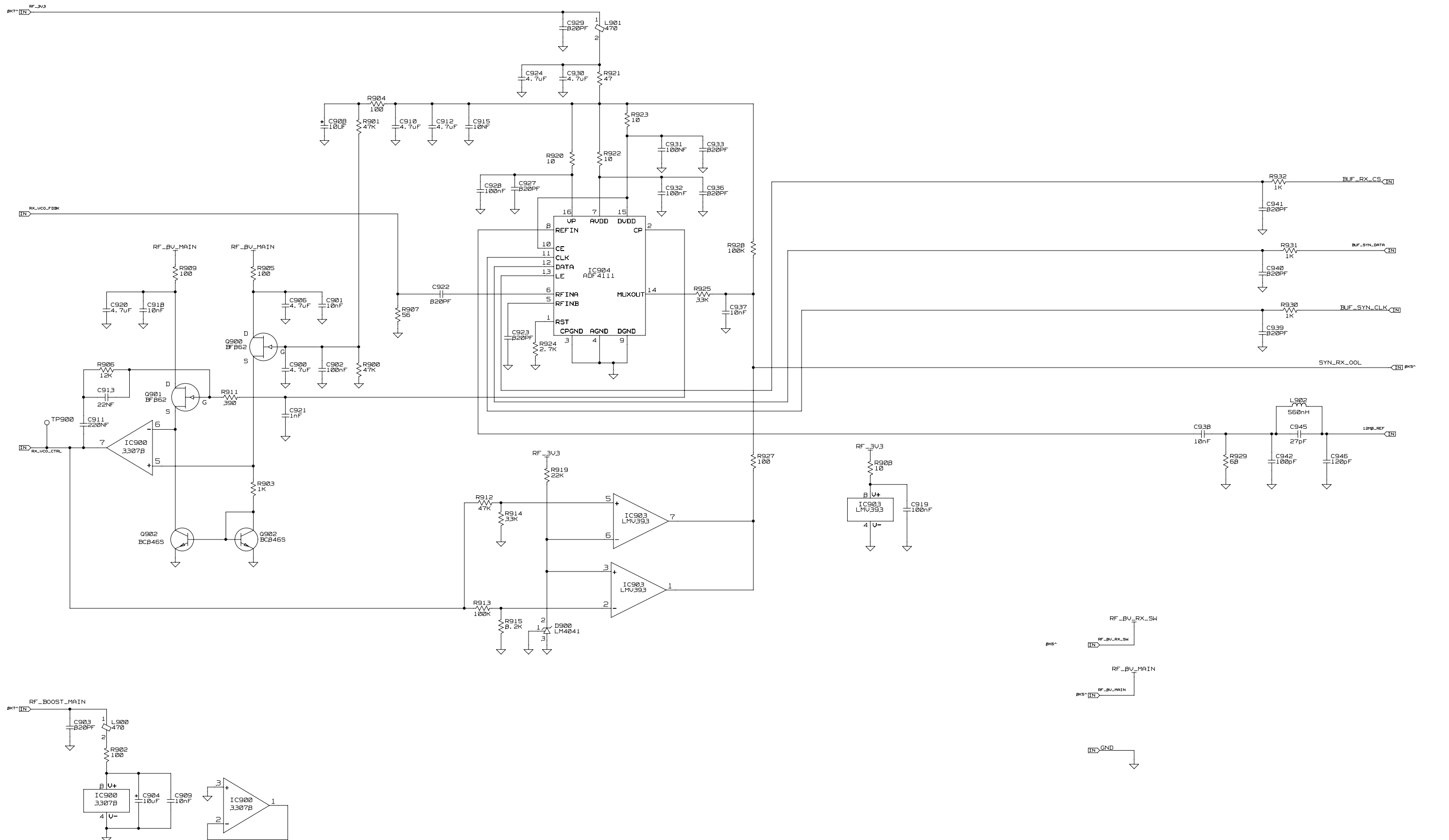
REV/ISS	AMENDMENTS	DRAWN	CHKD	D.O.	APVD	DATE
1						
2						
3						
4						
5						
6						
7						
8						
9						
10						
11						
12						
13						
14						



© TAIT ELECTRONICS		A1
TBB100 SYNTH & UCOS		
IPN: 220-02049-01	ISSUE: A	VARIANT NUMBER: ?
FILE DATE: Tue Jun 15 13:22:51 2004		
ENGINEER: S Heald	FILE NAME: 220_02049	SHEET NUMBER: B OF 14

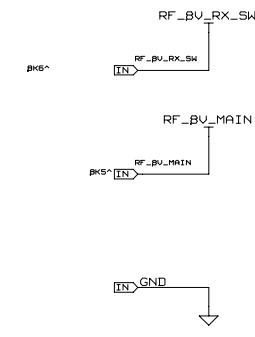
REV/ISS	AMENDMENTS	DRAWN	CHKD	D. O.	APVD	DATE
1						





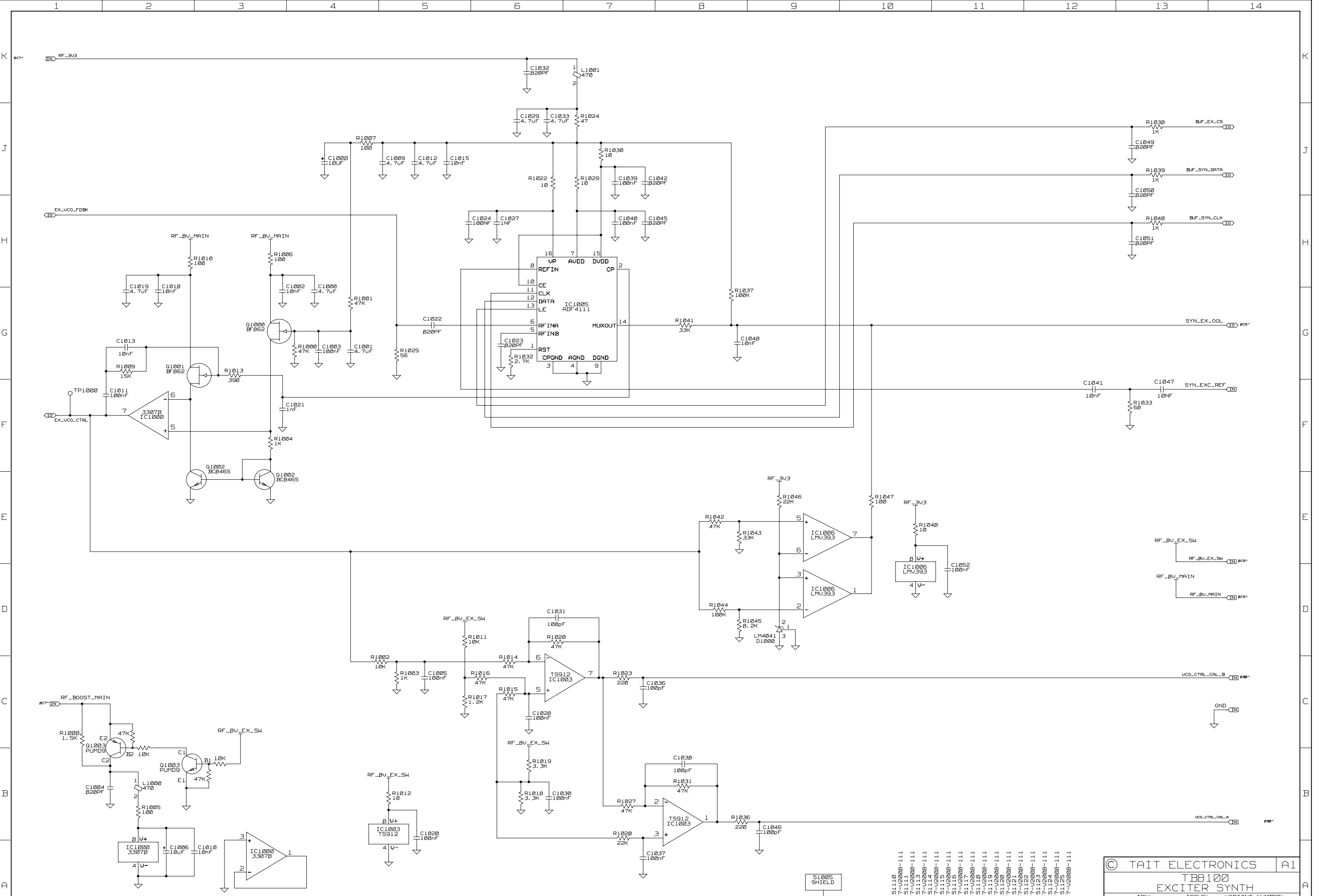
S905 SHIELD

- S1010
- 7-V200B-111
- S1011
- 7-V200B-111
- S1012
- 7-V200B-111
- S1013
- 7-V200B-111
- S1014
- 7-V200B-111
- S1015
- 7-V200B-111
- S1016
- 7-V200B-111
- S1017
- 7-V200B-111
- S1018
- 7-V200B-111
- S1019
- 7-V200B-111
- S1020
- 7-V200B-111
- S1021
- 7-V200B-111
- S1022
- 7-V200B-111
- S1023
- 7-V200B-111
- S1024
- 7-V200B-111
- S1025
- 7-V200B-111



© TAIT ELECTRONICS		A1
T88100 RECEIVER SYNTH		
IPN: 220-02049-01	ISSUE: A	VARIANT NUMBER: ?
FILE DATE: Tue Jun 15 13:22:53 2004		
ENGINEER: S Heald	FILE NAME: 220_02049	SHEET NUMBER: 9 OF 14

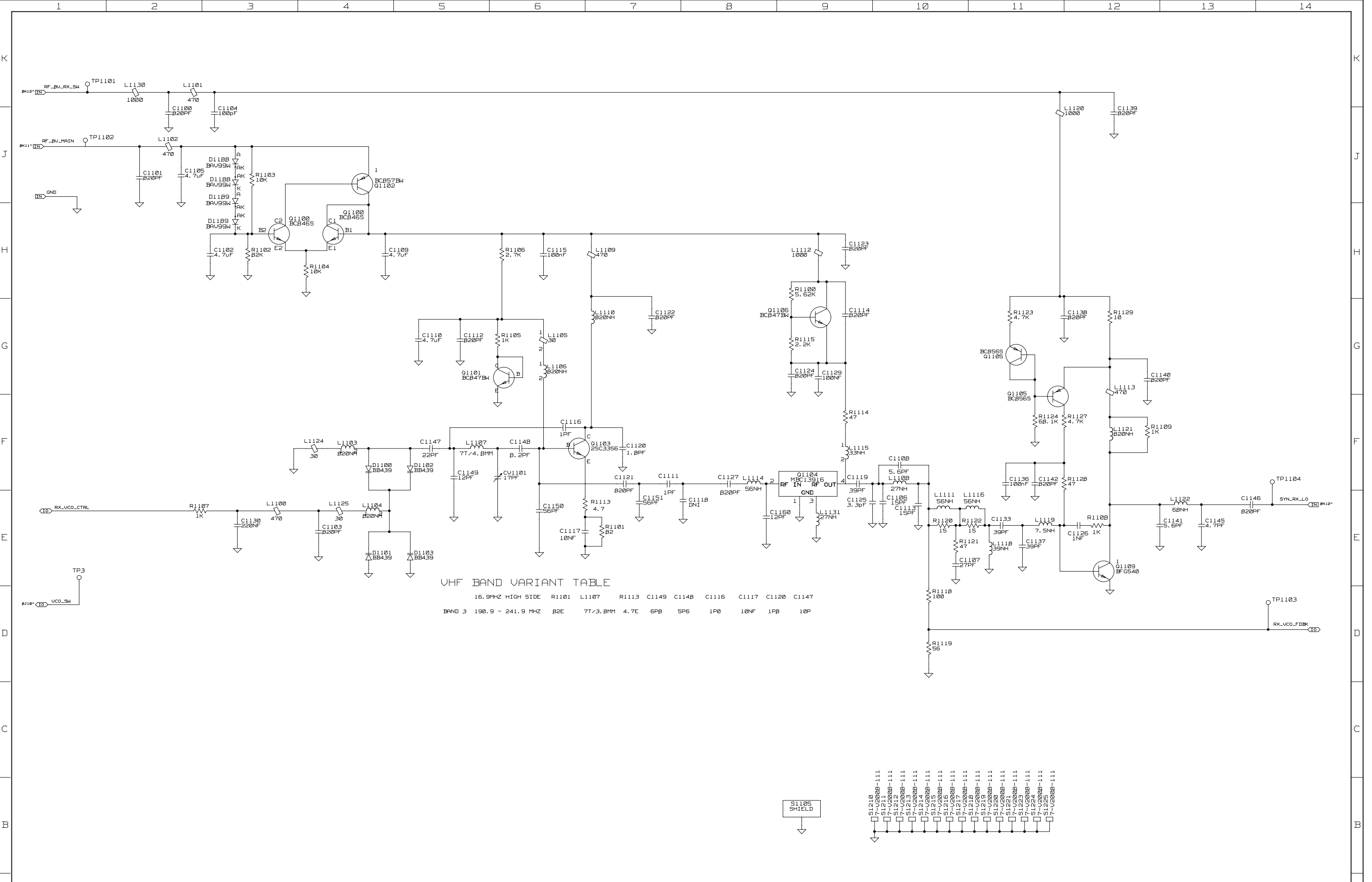
REV/ISS	AMENDMENTS	DRAWN	CHKD	D. O.	APVD	DATE
1						
2						
3						
4						
5						



- S1110
- 7-V2008-111
- S1113
- 7-V2008-111
- S1114
- 7-V2008-111
- S1115
- 7-V2008-111
- S1116
- 7-V2008-111
- S1117
- 7-V2008-111
- S1118
- 7-V2008-111
- S1119
- 7-V2008-111
- S1120
- 7-V2008-111
- S1121
- 7-V2008-111
- S1122
- 7-V2008-111
- S1123
- 7-V2008-111
- S1124
- 7-V2008-111
- S1125
- 7-V2008-111

© TAIT ELECTRONICS		A1
T8100 EXCITER SYNTH		
IPN: 220-02049-01	ISSUE: A	VARIANT NUMBER: ?
FILE DATE: Tue Jun 15 13:22:55 2004		
ENGINEER: S Heald	FILE NAME: 220_02049	SHEET NUMBER: 10 OF 14

REV/ISS	AMENDMENTS	DRAWN	CHKD	D. O.	APVD	DATE
1						
2						
3						
4						
5						



UHF BAND VARIANT TABLE

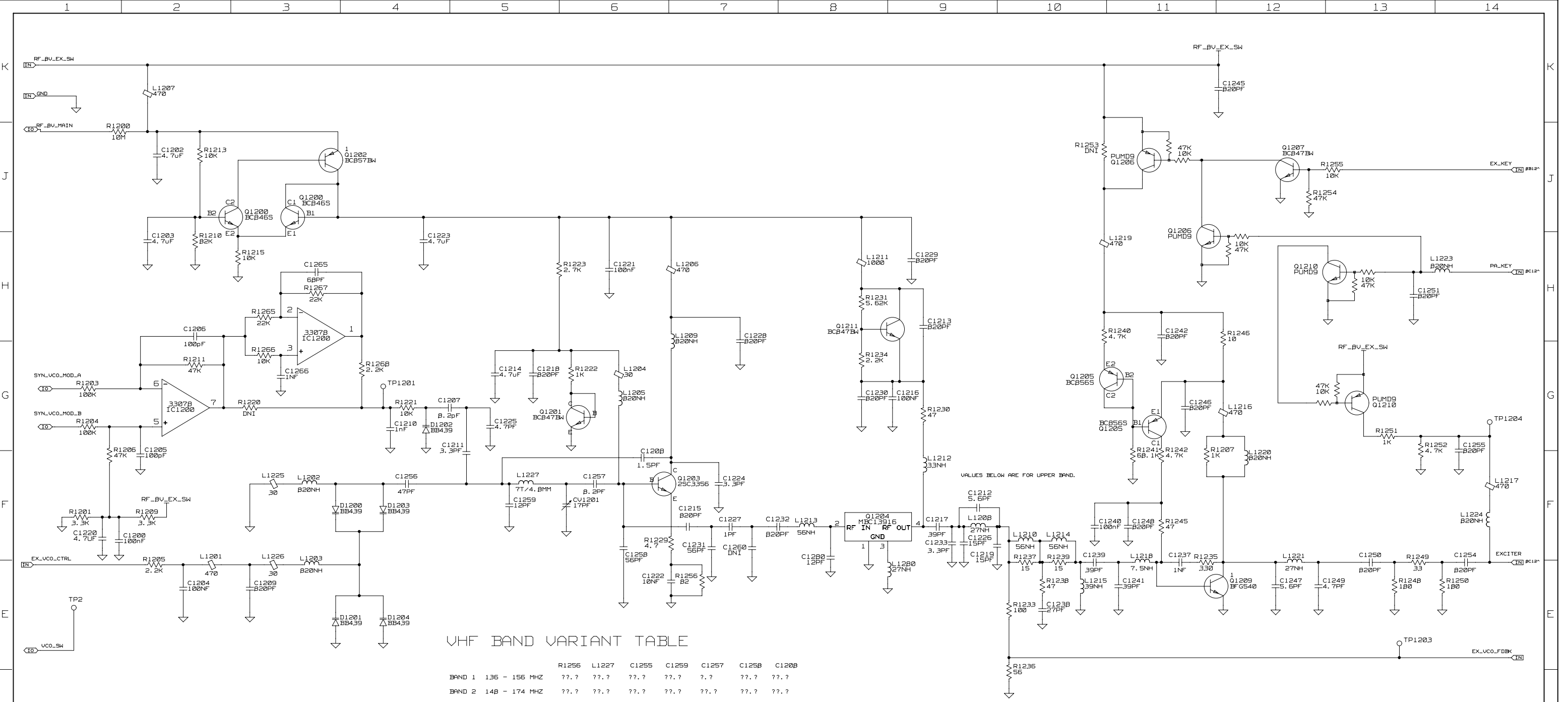
	16.9MHZ HIGH SIDE	R1101	L1107	R1113	C1149	C114B	C1116	C1117	C1120	C1147
BAND 3	190.9 - 241.9 MHz	B2E	7T/3.8MM	4.7E	6PB	5P6	1P0	10NF	1PB	10P

S1105 SHIELD

- S1210
- 7-V200B-111
- S1211
- 7-V200B-111
- S1212
- 7-V200B-111
- S1213
- 7-V200B-111
- S1214
- 7-V200B-111
- S1215
- 7-V200B-111
- S1216
- 7-V200B-111
- S1217
- 7-V200B-111
- S1218
- 7-V200B-111
- S1219
- 7-V200B-111
- S1220
- 7-V200B-111
- S1221
- 7-V200B-111
- S1222
- 7-V200B-111
- S1223
- 7-V200B-111
- S1224
- 7-V200B-111
- S1225
- 7-V200B-111

© TAIT ELECTRONICS		A1
T88100 RECEIVER UCO		
IPN: 220-02049-01	ISSUE: A	VARIANT NUMBER: ?
FILE DATE: Tue Jun 15 13:22:59 2004		
ENGINEER: S Heald	FILE NAME: 220_02049	SHEET NUMBER: 11 OF 14

REV/ISS	AMENDMENTS	DRAWN	CHKD	D. O.	APVD	DATE
1						

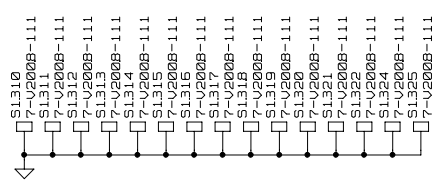


VHF BAND VARIANT TABLE

	R1256	L1227	C1255	C1259	C1257	C1258	C1208
BAND 1	136 - 156 MHZ	??.	??.	??.	??.	??.	??.
BAND 2	148 - 174 MHZ	??.	??.	??.	??.	??.	??.
BAND 3	174 - 193 MHZ	??.	??.	??.	??.	??.	??.
BAND 4	193 - 225 MHZ	??.	??.	??.	??.	??.	??.

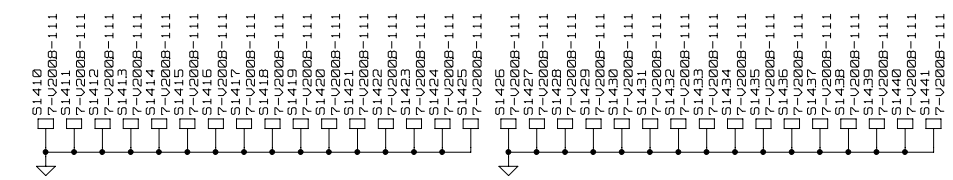
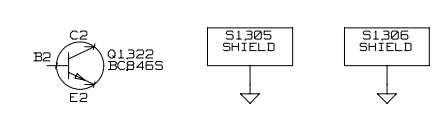
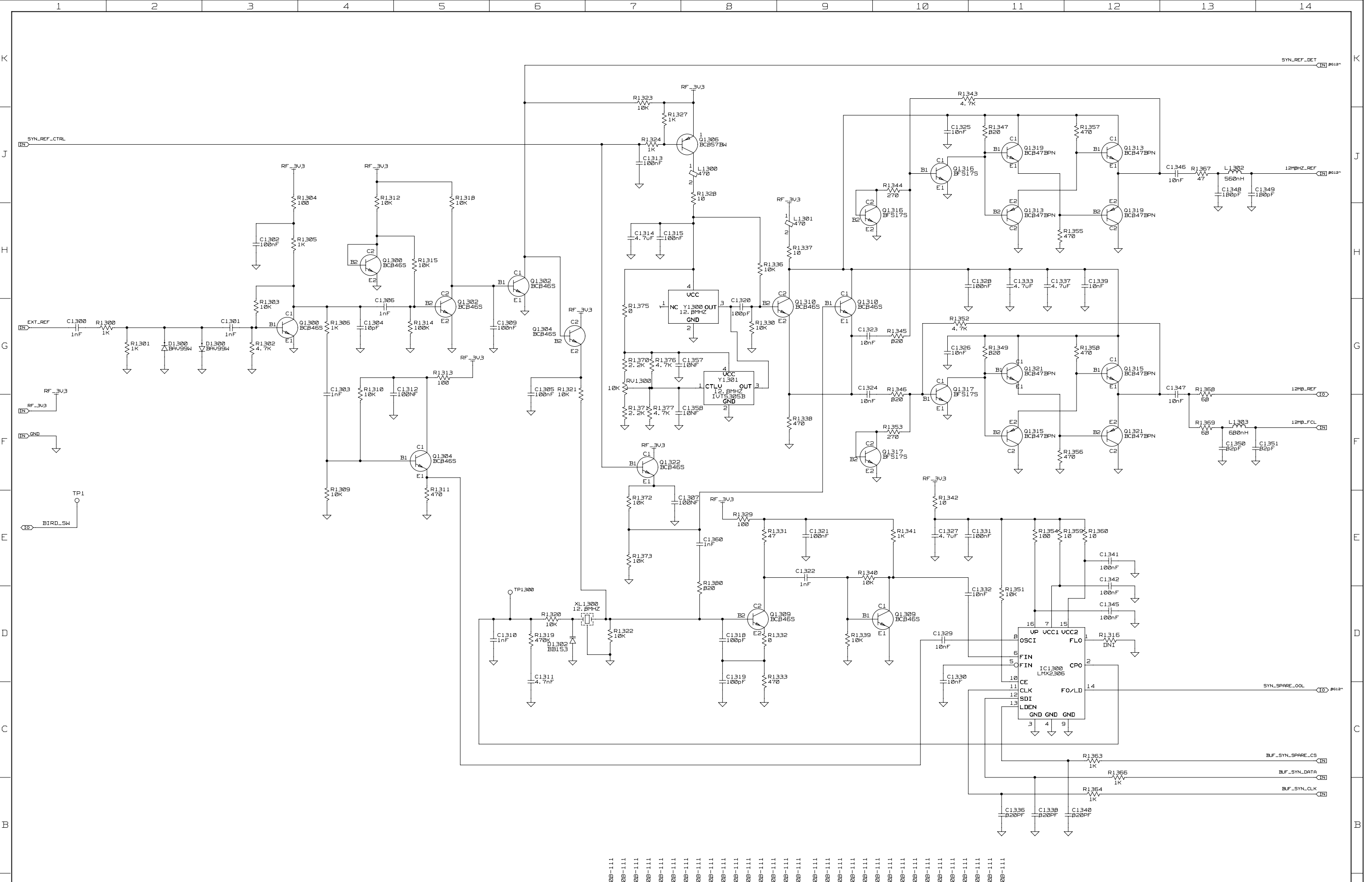
VALUES BELOW ARE FOR UPPER BAND.

S1205 SHIELD



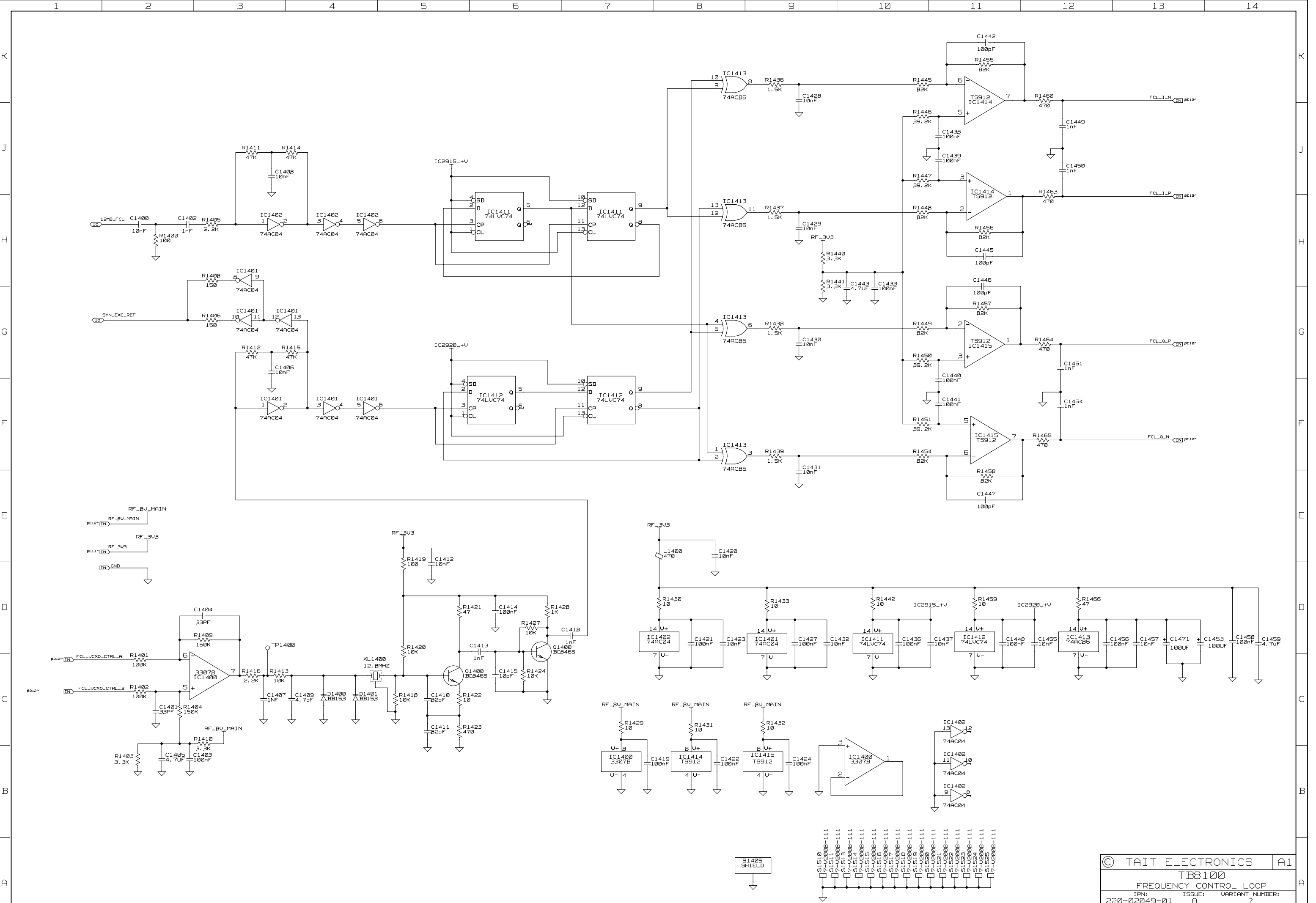
REV/ISS	AMENDMENTS	DRAWN	CHKD	D. O.	APVD	DATE
1						

© TAIT ELECTRONICS		A1
TB8100 EXCITER VCO		
IPN: 220-02049-01	ISSUE: A	VARIANT NUMBER: ?
FILE DATE: Tue Jun 15 13:23:02 2004		
ENGINEER: S Heald	FILE NAME: 220_02049	SHEET NUMBER: 12 OF 14



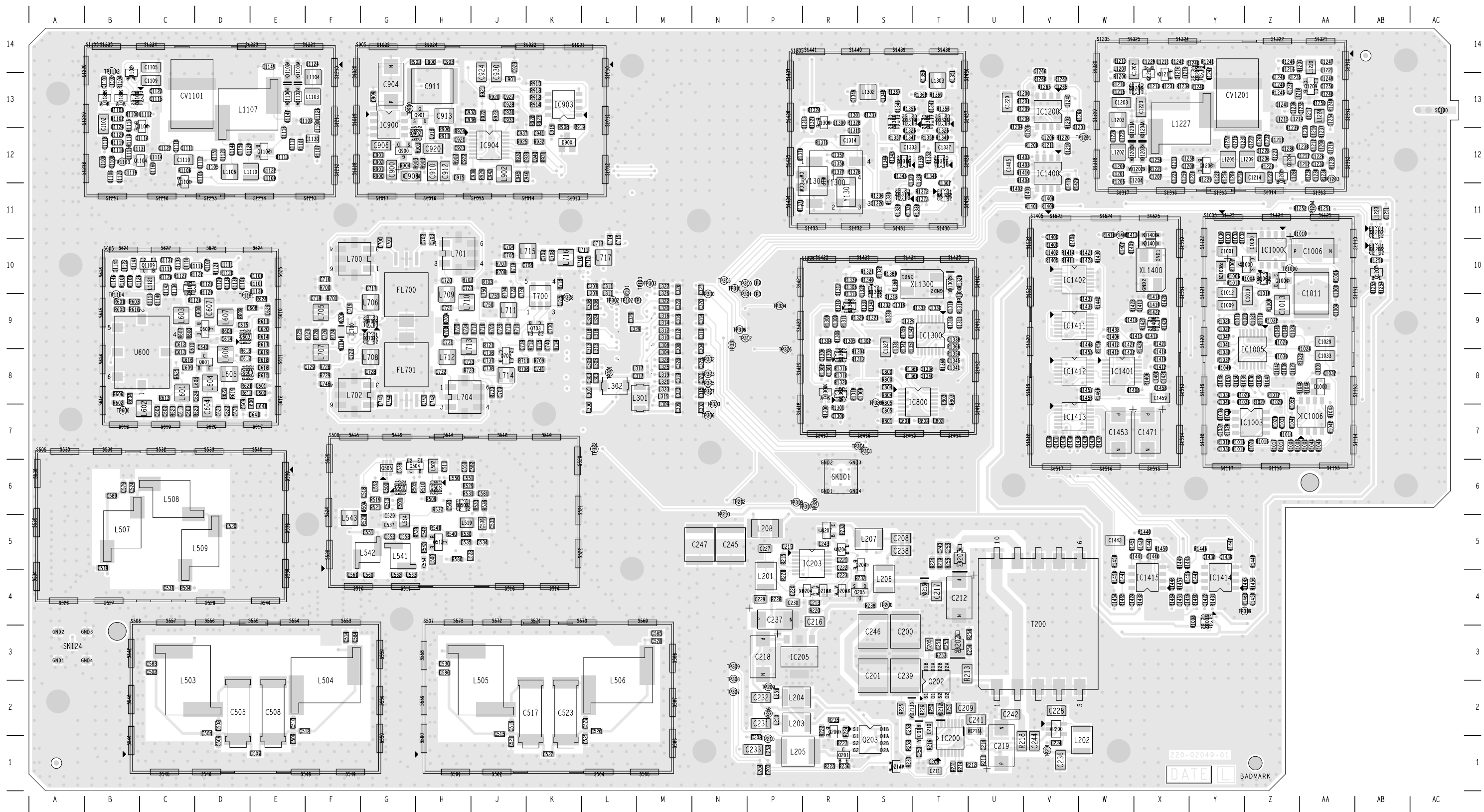
© TAIT ELECTRONICS		A1
T88100		
EXTERNAL REFERENCE		
IPN: 220-02049-01	ISSUE: A	VARIANT NUMBER: ?
FILE DATE: Tue Jun 15 13:23:06 2004		
ENGINEER: S Heald	FILE NAME: 220_02049	SHEET NUMBER: 13 OF 14

REV/ISS	AMENDMENTS	DRAWN	CHKD	D. O.	APVD	DATE
1						



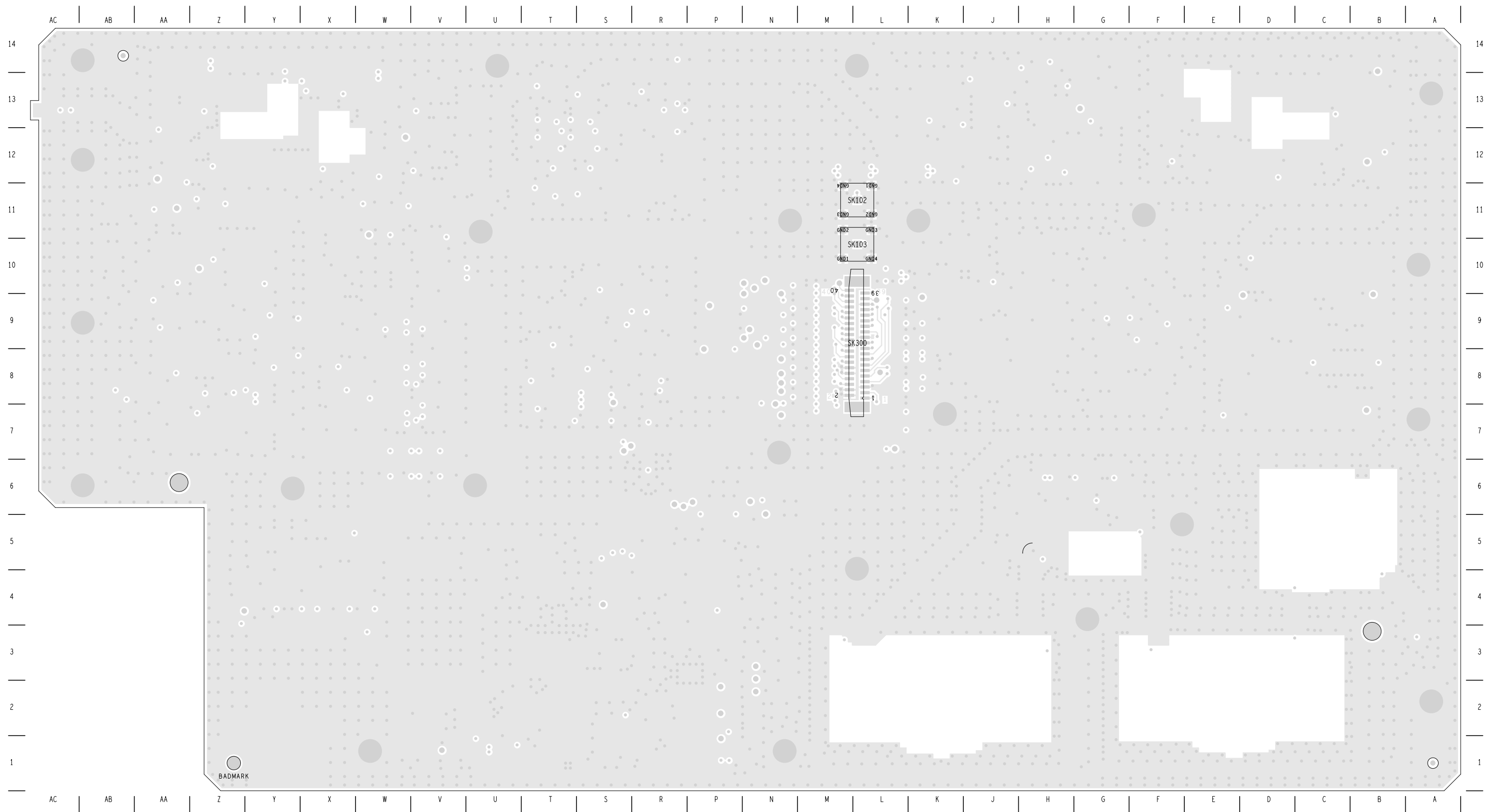
REV/ISS	AMENDMENTS	DRAWN	CHKD	D. O.	APVD	DATE
1						
2						
3						
4						
5						
6						
7						
8						
9						
10						
11						
12						
13						
14						

© TAIT ELECTRONICS		A1
TB8100		
FREQUENCY CONTROL LOOP		
IPN: 220-02049-01	ISSUE: A	VARIANT NUMBER: ?
FILE DATE: Tue Jun 15 13:23:09 2004		
ENGINEER: S Heald	FILE NAME: 220_02049	SHEET NUMBER: 14 OF 14



TAIT ELECTRONICS IPN: 220-02049-01 ISS: A DATE: 16Jun04 SCALE: NTS  
 TB8100 Reciter RF VHF 220-02049-01A LAYOUT-PRIMARY-SIDE

220-02049-01  
 DATE L BADMARK



TAIT ELECTRONICS	IPN: 220-02049-01	ISS: A	DATE: 16Jun04	SCALE: NTS
TB8100 Reciter RF VHF 220-02049-01A LAYOUT-SECONDARY-SIDE				